



## INFORMATION BULLETIN

No. M 6-III/42  
M 137 A/9  
M 137 AZ/3  
M 337/72  
M 337 A/3

**CONCERS:** Reconstruction of the distributor arm and cam of the magneto LUN 2221.13 type 52-9276.57

**CAUSE:** The increase of the service life and reliability of the distributor arm.

**MEASURES:** A structural change in the attachment of the distributor arm on the cam was conducted to increase the service life and reliability of the distributor arm. Magnetos produced since the second half of 1975 have a new distributor arm and cam. Former types are no more in production and can be replaced by new types.

If it is necessary to replace the former type of the distributor arm, the former type of cam will have to be replaced by a new type as well due to structural differences.

### List of parts of the former and the new type

-----

**Former type:**

1 piece distributor arm Drawing No. 402-8416.21  
1 piece cam No. 302-3890.62

**New type:**

1 piece distributor arm Drawing No. 402-8437.43  
1 piece cam No. 302-3890.77  
1 piece ring No. 402-6014.75  
2 pieces bolt No. 402-0522.07  
125+3 mm locking wire 0.8 mm ČSN 42 6410.5

(See picture on the other side of this bulletin)

Prague, November 22, 1976

M. Adamec m.p.

.....  
Engine producer's representative

Ing V. Hájek m.p.

.....  
Magneto producer's representative

Ing B. Homola m.p.

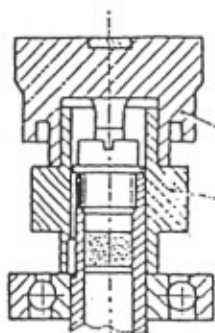
.....  
Customer's representative

Ing P. Hýla m.p.

.....  
State Aviation Inspection

V. Houdek m.p.

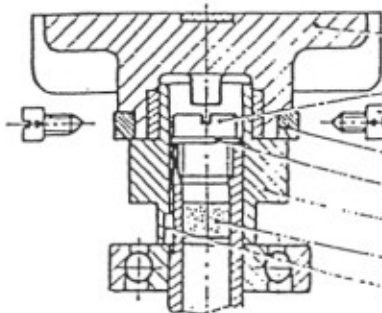
PŮVODNÍ PROVEDENÍ  
 БЫЛО  
 PRIMARY DESIGN



402-8416.21

302-3890.62

NOVÉ PROVEDENÍ  
 СТАЛО  
 NEW DESIGN



402-8437.43

(502-0261.22)

402-0522.07

402-6014.75

(502-5012.10)

302-3890.77

(502-7213.67)

402-5005.31

POJISTOVACÍ DRÁT POZINKOVANÝ Ø 0,8mm  
 СТОПОРНАЯ ПРОВОЛОКА, ОЦИНКОВАНА, Ø 0,8mm  
 LOCKING WIRE, ZINC-PLATED, 0,8mm DIA.

